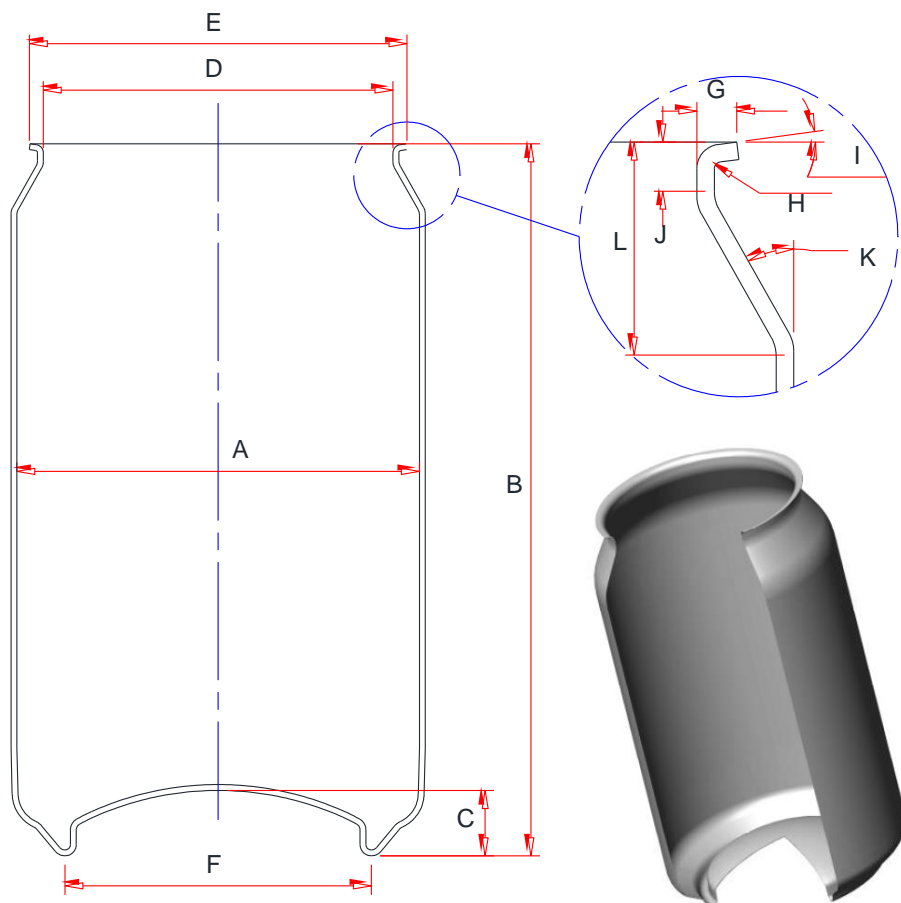




Provisional - Customer Specification



Item	Description	mm	+/-	inch	+/-
A	Outside Body Diameter	66.150	0.01	2.6043	0.0004
B	Factory Finished Can Height	168.00	0.25	6.614	0.010
C	Dome Depth	10.92	0.13	0.430	0.005
D	Neck Plug Diameter	52.40	0.13	2.063	0.005
E	Flange Diameter	57.00	max	2.244	max
F	Stand Diameter	48.01	ref	1.890	ref
G	Flange Width	2.13	0.20	0.084	0.008
H	Over Flange Radius	1.55	ref	0.061	ref
I	Flange Angle	0-7	deg	0-7	deg
J	Seaming Clearance	3.05	min	0.120	min
K	Neck Angle	32.0	deg	32.0	deg
L	Neck Height	18.16	ref	0.715	ref
1	Dome Reversal Pressure (min)	6.32	Bar	93	PSI
2	Axial Load Strength (min)	85	KG	833	N
3	Freeboard	14.0	0.5	0.55	0.02
4	Brimful Capacity (ml)	545	ref	545	ref

Protective Coatings:

External Base Protection: **Rim Coat**

Internal Lacquer: **Modified Epoxy**



DATE:	REVISION DESCRIPTION:	ISSUE:

MANUFACTURER:	Ceylon Beverage Can Ltd	DATE: 12/15/2015	DRAWN BY: CBC
CAN SIZE:	500ml x 211 x 202	ISSUE NO: 1	CHECKED BY: PR
PRODUCT:	Aluminium Beverage Can	DOCUMENT NO:	5356-103-C01-02