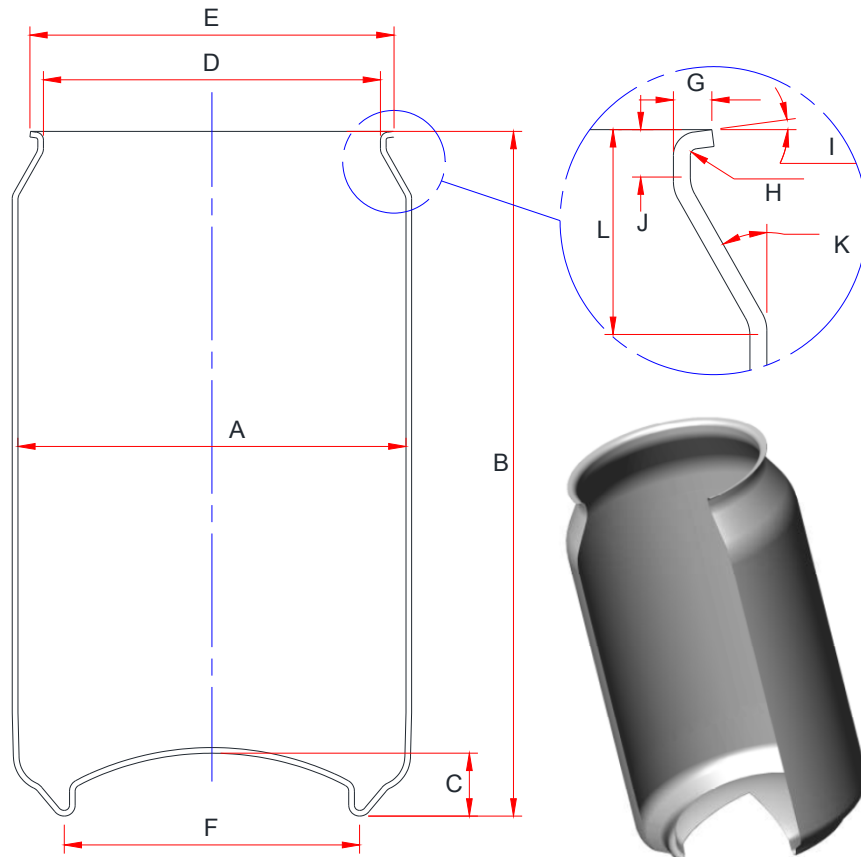




Finished Can - Customer Specification



Item	Description	mm	+/-	inch	+/-
A	Outside Body Diameter	66.150	0.01	2.6043	0.0004
B	Factory Finished Can Height	106.88	0.25	4.208	0.010
C	Dome Depth	10.92	0.13	0.430	0.005
D	Neck Plug Diameter	52.40	0.13	2.063	0.005
E	Flange Diameter	56.94	max	2.242	max
F	Stand Diameter	48.01	ref	1.890	ref
G	Flange Width	2.10	0.20	0.083	0.008
H	Over Flange Radius	1.55	ref	0.061	ref
I	Flange Angle	0-7	deg	0-7	deg
J	Seaming Clearance	3.05	min	0.120	min
K	Neck Angle	30.0	deg	30.0	deg
L	Neck Height	18.16	ref	0.715	ref
1	Dome Reversal Pressure (min)	6.32	Bar	93	PSI
2	Axial Load Strength (min)	85	KG	834	N
3	Freeboard	12.2	ref	0.48	ref
4	Brimful Capacity (ml)	328	3	328	3

Protective Coatings:

External Base Protection: Rim Coat

Internal Lacquer: Modified Epoxy

DATE:	REVISION DESCRIPTION:	ISSUE:



THIS IS A CONTROLLED
DOCUMENT ISSUED BY
CBC

Manufacturer:	Ceylon Beverage Can Ltd	DATE: 9/9/2016	DRAWN BY: PR
Can Size:	300ml x 211 body x 202 neck	ISSUE NO: 1	CHECKED BY: PR
Product:	Aluminium Beverage Can	DOCUMENT NO: 5356-104-C01-05	