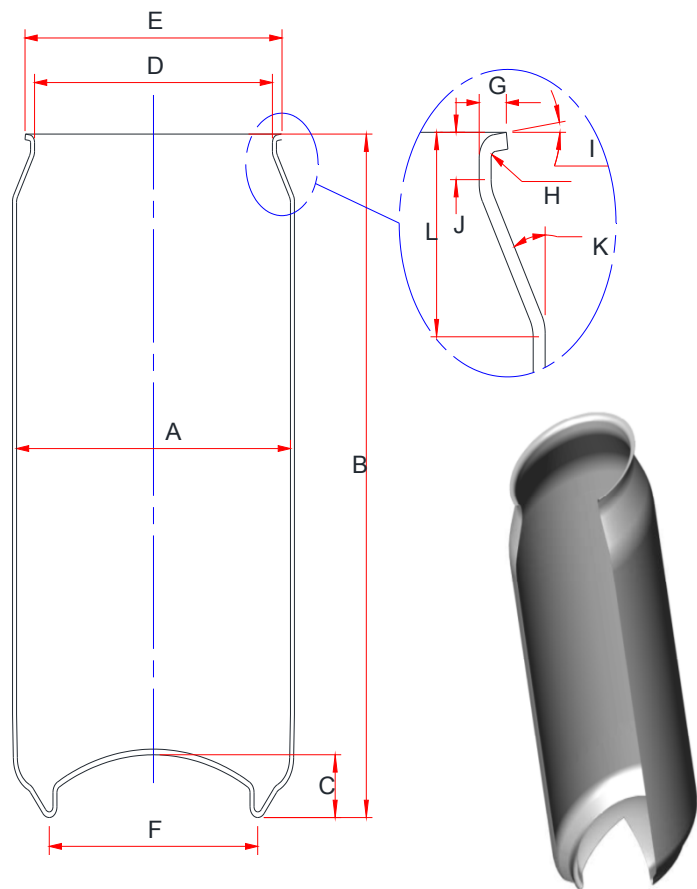


# Finished Can - Customer Specification



Item	Description	mm	+/-	inch	+/-
A	Outside Body Diameter	53.098	0.01	2.0905	0.0004
B	Factory Finished Can Height	111.20	0.25	4.378	0.010
C	Dome Depth	9.70	0.13	0.382	0.005
D	Neck Plug Diameter	50.10	0.13	1.972	0.005
E	Flange Diameter	54.66	max	2.152	max
F	Stand Diameter	48.01	ref	1.890	ref
G	Flange Width	2.11	0.20	0.083	0.008
H	Over Flange Radius	1.55	ref	0.061	ref
I	Flange Angle	0-7	deg	0-7	deg
J	Seaming Clearance	3.05	min	0.120	min
K	Neck Angle	33.0	deg	33.0	deg
L	Neck Height	9.80	ref	0.386	ref
1	Dome Reversal Pressure (min)	6.32	Bar	93	PSI
2	Axial Load Strength (min)	85	KG	834	N
3	Freeboard	14.1	ref	0.56	ref
4	Brimful Capacity (ml)	218	3	218	3

## Protective Coatings:

External Base Protection: Rim Coat

Internal Lacquer: Modified Epoxy

DATE:	REVISION DESCRIPTION:	ISSUE:



THIS IS A CONTROLLED  
DOCUMENT ISSUED BY  
**CEYLON BEVERAGE CAN**

Manufacturer:	<b>Ceylon Beverage Can Ltd</b>	DATE: 27/3/2016	DRAWN BY: C BC
Can Size:	<b>200ml x 202 body x 200 neck</b>	ISSUE NO: 1	CHECKED BY: PR
Product:	<b>Aluminium Beverage Can</b>	DOCUMENT NO: <b>5356-104-C01-06</b>	