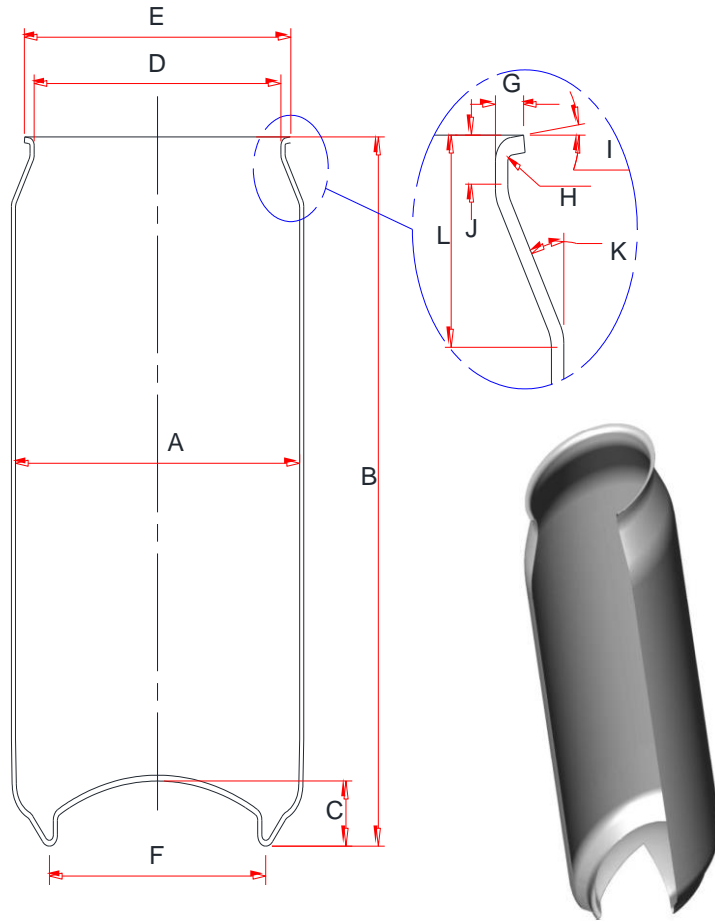




Finished Can - Customer Specification



| Item | Description | mm | +/- | inch | +/- |
|------|------------------------------|--------|------|--------|--------|
| A | Outside Body Diameter | 53.070 | 0.01 | 2.0894 | 0.0004 |
| B | Factory Finished Can Height | 103.42 | 0.25 | 4.072 | 0.010 |
| C | Dome Depth | 9.70 | 0.13 | 0.382 | 0.005 |
| D | Neck Plug Diameter | 50.00 | 0.13 | 1.969 | 0.005 |
| E | Flange Diameter | 54.54 | max | 2.147 | max |
| F | Stand Diameter | 46.36 | ref | 1.825 | ref |
| G | Flange Width | 2.10 | 0.20 | 0.083 | 0.008 |
| H | Over Flange Radius | 1.55 | ref | 0.061 | ref |
| I | Flange Angle | 0-7 | deg | 0-7 | deg |
| J | Seaming Clearance | 3.05 | min | 0.120 | min |
| K | Neck Angle | 33.0 | deg | 33.0 | deg |
| L | Neck Height | 9.80 | ref | 0.386 | ref |
| 1 | Dome Reversal Pressure (min) | 6.32 | Bar | 93 | PSI |
| 2 | Axial Load Strength (min) | 85 | KG | 834 | N |
| 3 | Head Space | 12.0 | ref | 0.47 | ref |
| 4 | Brimful Capacity (ml) | 205 | ref | 205 | ref |

Protective Coatings:

External Base Protection: **Rim Coat**

Internal Lacquer: **Modified Epoxy**

| DATE: | REVISION DESCRIPTION: | ISSUE: |
|-------|-----------------------|--------|
| | | |
| | | |
| | | |
| | | |



| | | | |
|---------------|------------------------------------|---------------------------------|----------------|
| Manufacturer: | Ceylon Beverage Can Ltd | DATE: 7/6/2017 | DRAWN BY: C BC |
| Can Size: | 185ml x 202 body x 200 neck | ISSUE NO: 2 | CHECKED BY: PR |
| Product: | Aluminium Beverage Can | DOCUMENT NO: 5356-104-C01-04 | |